

# CHAPMAN UK

CHAPMAN/LEONARD STUDIO EQUIPMENT LTD.

Dollies • Cranes • Remote Camera Systems

[www.chapmanleonard.com](http://www.chapmanleonard.com)

[grip@chapmanleonard.com](mailto:grip@chapmanleonard.com)

## CHAPMAN/ LEONARD MINISCOPE 7 RISK ASSESSMENT



### CONTENTS

Page 1: Introduction

Page 2: Crane Specifications

Page 3-4: Risks and Procedures

Any queries in regards to this Risk Assessment, please contact:

Becca Day: 07731752391 ([Becca@chapmanleonard.com](mailto:Becca@chapmanleonard.com))

Dennis Fraser: 07711983298 ([Dennis@chapmanleonard.com](mailto:Dennis@chapmanleonard.com))

Chapman Office Contact: 01727 838 424

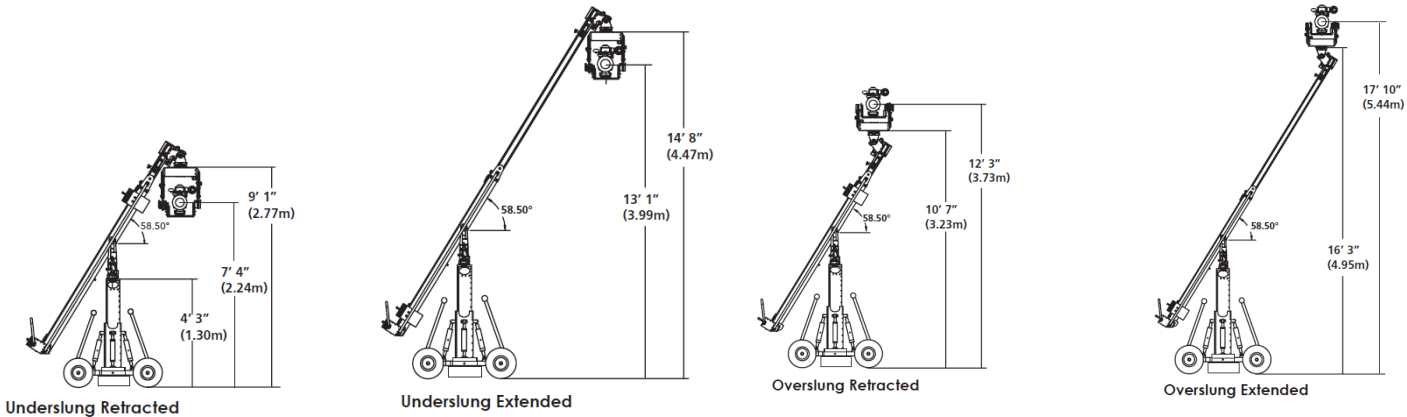
# CHAPMAN UK

CHAPMAN/LEONARD STUDIO EQUIPMENT LTD.

Dollies • Cranes • Remote Camera Systems

www.chapmanleonard.com  
grip@chapmanleonard.com

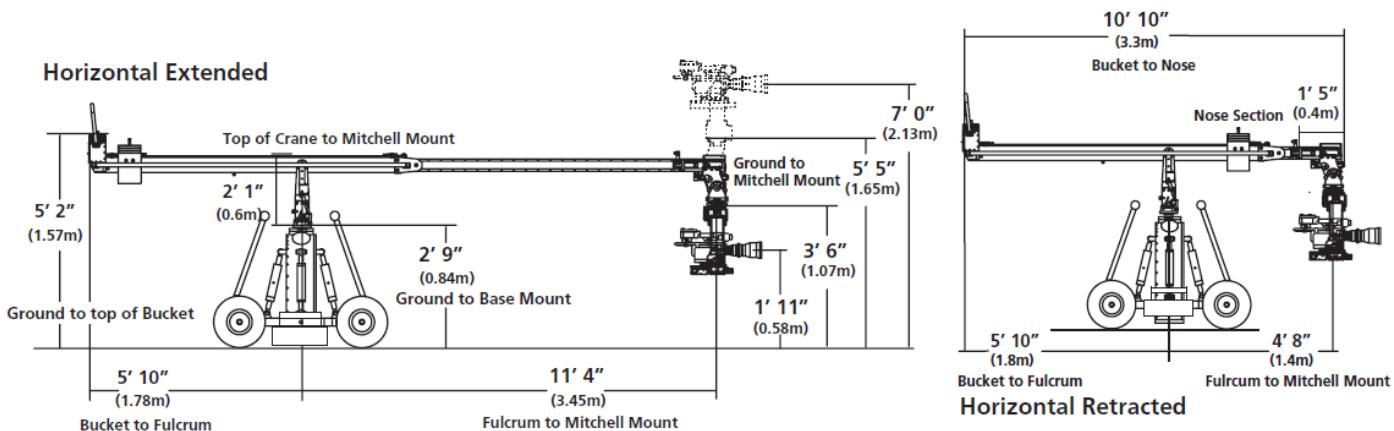
## Crane Specifications



### WARNING OF POWERLINES!

Nominal Voltage	Minimal Required Clearance	
	(Feet)	(Meters)
600 up to 50,000	10	3
Over 50,000 to 75,000	11	3.4
Over 75,000 to 125,000	13	4
Over 125,000 to 175,000	15	4.6
Over 175,000 to 250,000	17	5.2
Over 250,000 to 370,000	21	6.4
over 370,000 to 550,000	27	8.2
over 550,000 to 1,000,000	42	12.8

Maximum Payload.....	150 lbs
Telescoping Travel.....	6 ft 9 in
Min Reach From Fulcrum.....	4 ft 8 in
Max Reach From Fulcrum.....	11 ft 4 in
Max Telescoping Travel Speed.....	3.5 ft/sec
Max Weight Fully Loaded .....	780 lbs
Weight: Arm NO Payload.....	285 lbs
Weight: Arm Stripped.....	225 lbs
Shipping Weight .....	800 lbs
Electrically Powered.....	30 volts
Power Source : AC/DC Converter or Battery	
Vertical Travel on Minibase.....	.16in
Base Weight.....	230 lbs



# CHAPMAN UK

CHAPMAN/LEONARD STUDIO EQUIPMENT LTD.

Dollies • Cranes • Remote Camera Systems

www.chapmanleonard.com

grip@chapmanleonard.com

RISK:	<b>L</b> : Low Risk	<b>M</b> : Medium Risk	<b>H</b> : High Risk
-------	---------------------	------------------------	----------------------

HAZARD	RISK LEVEL	POTENTIAL RISKS	PREVENTATIVE MEASURES	NEW RISK LEVEL
Crane bases are mobile.	<b>H</b>	Care to be taken to prevent losing control of the crane.	When base is being moved, it must be sufficiently crewed. When the base is stationary (i.e. once in position or being left overnight) it should be jacked or chocked so it is secured.	<b>M</b>
Lifting the Crane and Base using lifting equipment. (i.e. Lee lifting crane, Manitou or Fork Lift).	<b>H</b>	Incorrect lifting of the crane may cause the crane arm to tip and fall from a height.	Strict procedure set by the technicians must be followed and the correct supplied lifting equipment must be used. The crane arm must never be lifted unless balanced.	<b>M</b>
Tracking with the crane and using the crane on track.	<b>H</b>	Tracking at speed will cause stress and strain to the crane arm.	Care must be taken when tracking with crane and Grips must be aware of the <b>G force</b> . When on track, the track wheels must be securely attached and the crane balanced.	<b>M</b>
Extreme weather conditions such as high winds and/or thunder and lightning.	<b>H</b>	High winds could cause loss of control of the arm or even the crane to tip over. Lightning strikes on the crane could cause serious injury.	Adverse weather conditions may mean the crane is too dangerous to operate and it must be lowered and racked if wind is too strong or on the sign of thunder and lightning.	<b>M</b>
Operating the crane near overhead power (electricity) lines.	<b>M</b>	Electrocution from power lines poses a high risk of injury.	The minimum distances from power lines to crane for the stated voltages must be observed ( <b>table on page 2</b> ).	<b>L</b>
Personal injury whilst lifting and handling heavy crane components (e.g. crane weights).	<b>M</b>	Risk to technicians and CREW.	Care must be taken when lifting heavy crane components.	<b>L</b>
Operation of crane and telescopic arm.	<b>M</b>	Extending or retracting arm can be high speed (up to 2.2 m/s).	Technicians and Grips must be vigilant and ensure that while the crane and telescopic arm is being operated the way is clear and it is safe to do so. CAST/CREW should not walk under the crane arm.	<b>L</b>

# CHAPMAN UK

CHAPMAN/LEONARD STUDIO EQUIPMENT LTD.

Dollies • Cranes • Remote Camera Systems

www.chapmanleonard.com

grip@chapmanleonard.com

RISK:		L : Low Risk	M: Medium Risk	H: High Risk
HAZARD	RISK LEVEL	POTENTIAL RISKS	PREVENTATIVE MEASURES	NEW RISK LEVEL
Operation of crane centre post (column).	<b>M</b>	Raising the column raises the centre of gravity, meaning the crane is less stable.	Column only to be operated by trained and experienced crew. The base must never be moved with the column raised and the arm must be racked in before raising and lowering the post. Outriggers can be used to increase the stability of the base.	<b>L</b>
Securing remote head/camera package.	<b>L</b>	Equipment falling from a height can cause serious injury.	Remote heads must be securely fastened on the crane. Camera packages must be mounted securely and a 'safety' must be attached from camera to remote head before the crane is used.	<b>L</b>
Changing payload.	<b>L</b>	May cause crane to be unbalanced.	Changing the payload weight such as removing the camera or reloading the film magazine will cause the crane to be out of balance, therefore the crane technicians / grips must be informed so the crane can be securely locked off.	<b>L</b>
N.B. Additional space is provided here for technicians/grips to add risks as appropriate. Any additional risks must be discussed with 1 <sup>st</sup> AD/Equivalent and health and safety officers.				

**IMPORTANT NOTICE: Chapman Leonard UK equipment must not be operated by any personnel who are incapable of doing so safely. Furthermore, anyone under the influence of drugs or alcohol must not use or operate Chapman Leonard UK equipment.**