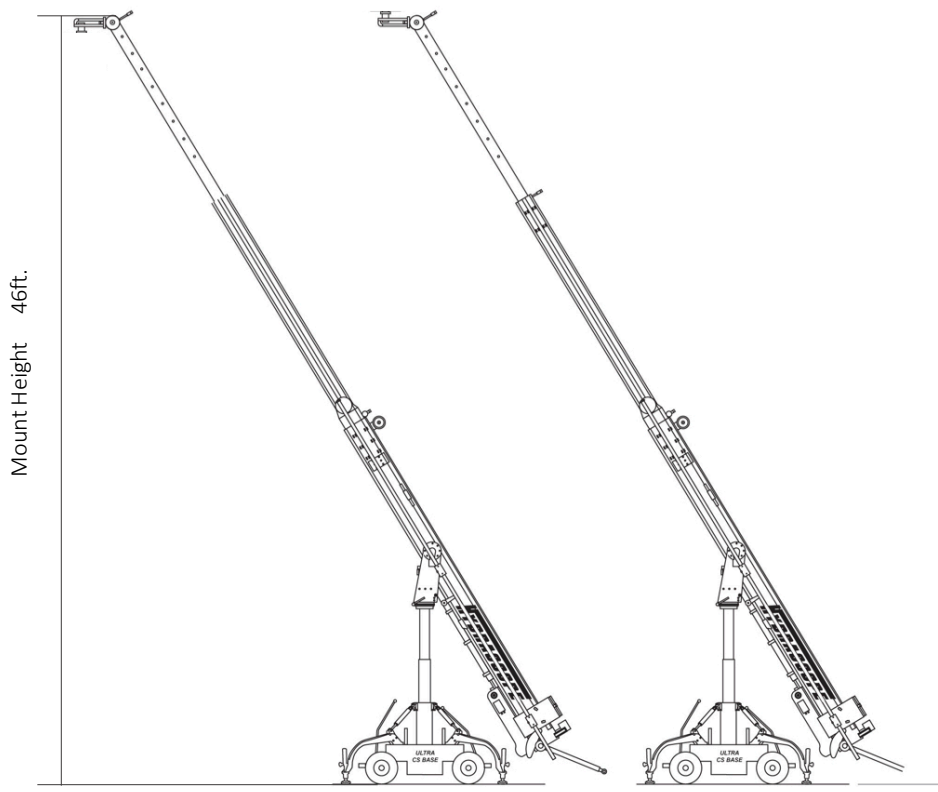
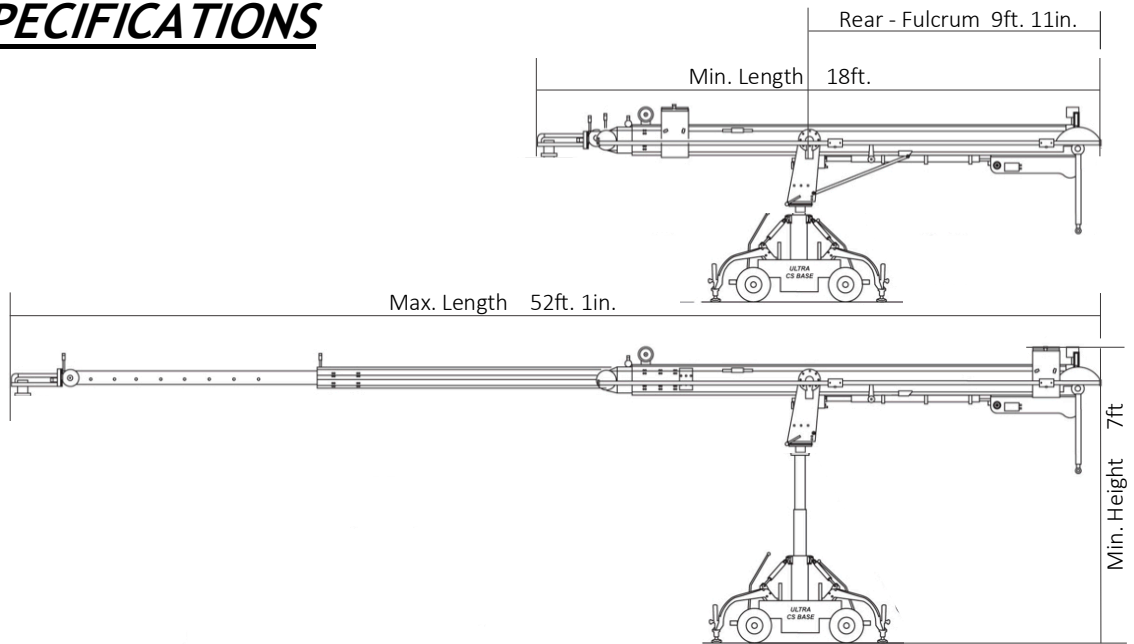


# CHAPMAN UK 43FT HYDRASCOPE

## 2021 SPECIFICATION



### TECHNICAL SPECIFICATIONS



Base Width 4ft. 10in.

- ✓ CRANE TRACK COMPATIBLE
- ✓ POSITIONING: **RAPTOR & SUPER RAPTOR** POSITIONING BASES
- ✓ MOBILE TRACKING: **COMING SOON**
- ✓ CHAPMAN TECH REQUIREMENTS: 1 X NVQ L2 CRANE TECH, 1 X CHAPMAN HEAD TECH (IF USING WITH HEAD)
- ✓ GRIP REQUIREMENTS: 1 X NVQ L2 GRIP & 1 X NVQ L3 GRIP

<u>MIN CRANE UNIT WEIGHT</u>	<u>722.11KG</u>
<u>MAX CRANE UNIT WEIGHT</u>	<u>1,610.25KG</u>
<u>MAX CRANE UNIT WEIGHT ARM &amp; BASE</u>	<u>2,210.25 KG</u>
<u>VOLTAGE</u>	<u>24vDC BATTERY 110v AC TO 24V DC</u>
<u>MIN HEIGHT</u>	<u>7FT</u>
<u>MIN LENGTH (RETRACTED)</u>	<u>18FT</u>

<u>MAX LENGTH (EXTENDED)</u>	<u>52FT 1IN</u>
<u>REAR-FULCRUM LENGTH</u>	<u>9FT 11IN</u>
<u>MOUNT HEIGHT</u>	<u>46FT</u>
<u>BASE WIDTH</u>	<u>4FT 10IN</u>
<u>BASE LENGTH</u>	<u>6FT 3IN</u>
<u>BASE TYPE</u>	<u>ULTRA CS BASE</u>