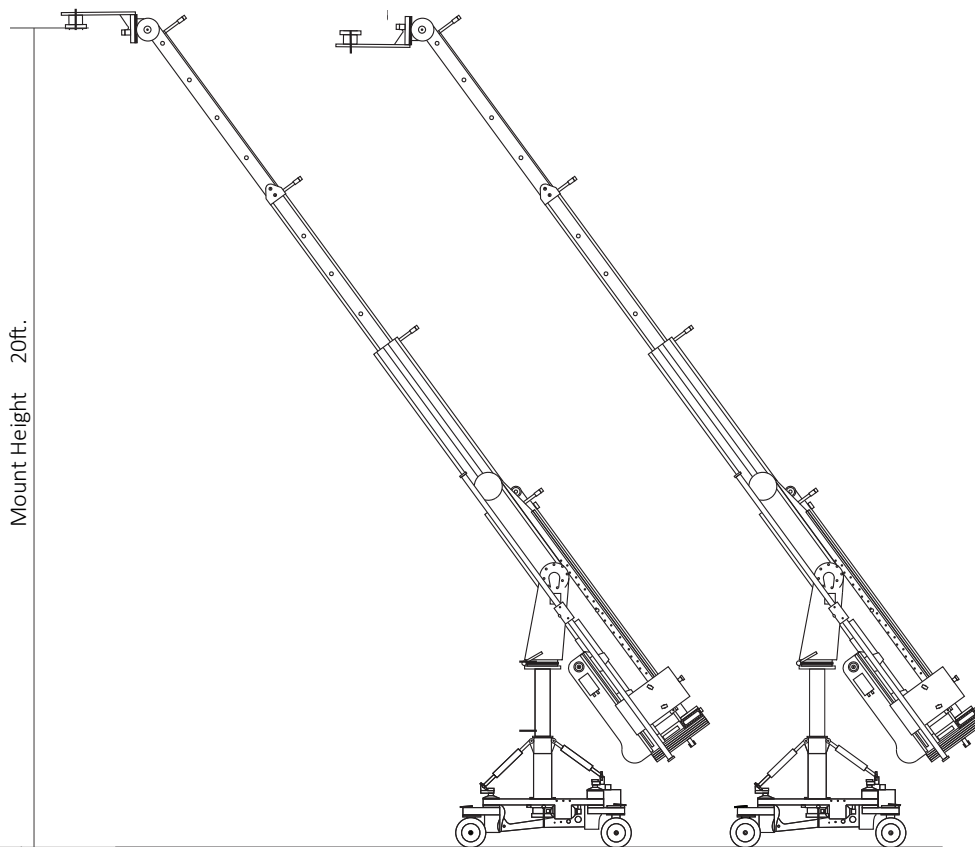
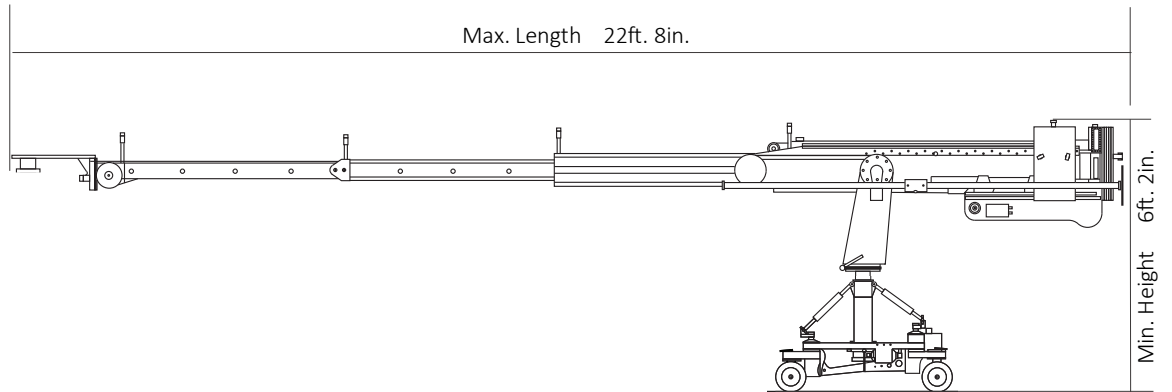
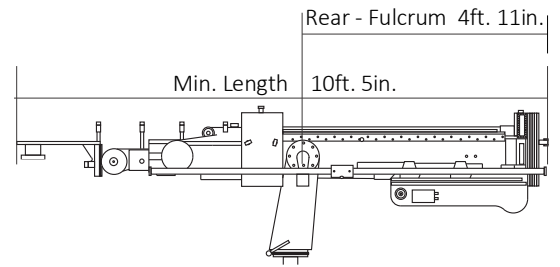


CHAPMAN UK 20FT HYDRASCOPE

2021 SPECIFICATION



TECHNICAL SPECIFICATIONS



Base Width 3ft. 3in.

- ✓ **DOLLY & CRANE TRACK COMPATIBLE**
- ✓ **POSITIONING: ALL - TERRAIN BASE; RAPTOR POSITIONING BASE**
- ✓ **MOBILE TRACKING: DUALY**
- ✓ **CHAPMAN TECH REQUIREMENTS: 1 X NVQ L2 CRANE TECH, 1 X CHAPMAN HEAD TEACH (IF USING WITH HEAD)**
- ✓ **GRIP REQUIREMENTS: 1 X NVQ L2 GRIP & 1 X NVQ L3 GRIP**

<u>MIN CRANE UNIT WEIGHT</u>	<u>385.5KG</u>
<u>MAX CRANE UNIT WEIGHT</u>	<u>957.07KG</u>
<u>VOLTAGE</u>	<u>24vDC BATTERY 110v</u>
	<u>AC TO 24V DC</u>
<u>MIN HEIGHT</u>	<u>6FT 2IN</u>
<u>MIN LENGTH (RETRACTED)</u>	<u>10FT 5IN</u>

<u>MAX LENGTH (EXTENDED)</u>	<u>22FT 8IN</u>
<u>REAR-FULCRUM LENGTH</u>	<u>4FT 11IN</u>
<u>MOUNT HEIGHT</u>	<u>20FT</u>
<u>BASE WIDTH</u>	<u>3FT 3IN</u>
<u>BASE LENGTH</u>	<u>4FT 4IN</u>
<u>BASE TYPE</u>	<u>HY HY BASE</u>