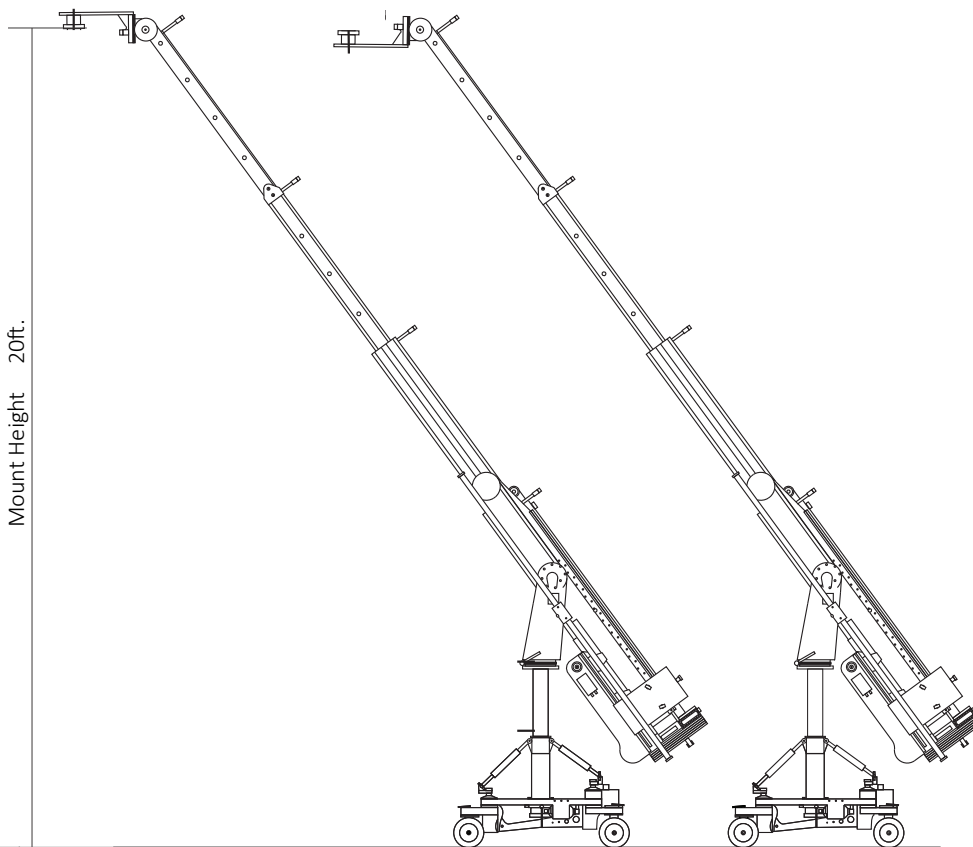
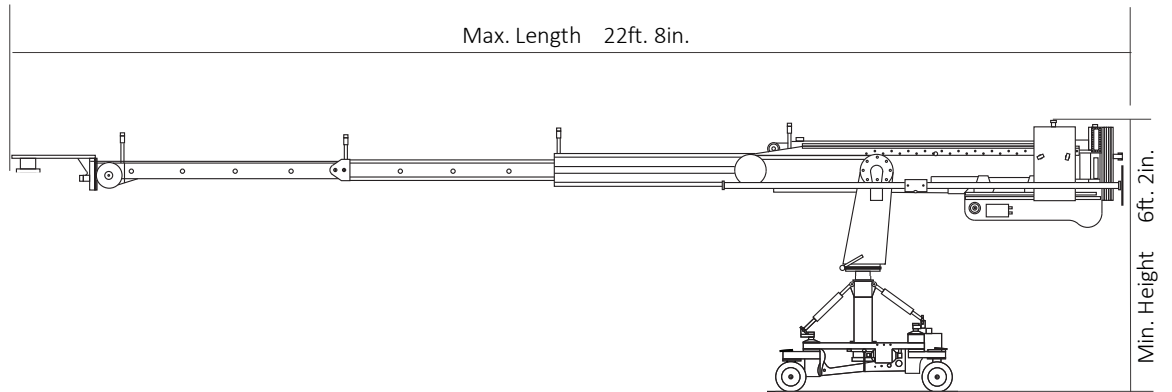
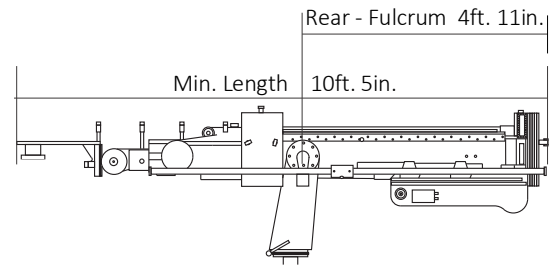


# CHAPMAN UK 20FT HYDRASCOPE

## 2021 SPECIFICATION



### TECHNICAL SPECIFICATIONS



✓ **DOLLY & CRANE TRACK COMPATIBLE**

✓ **POSITIONING: ALL - TERRAIN BASE; RAPTOR POSITIONING BASE**

✓ **MOBILE TRACKING: DUALY**

✓ **CHAPMAN TECH REQUIREMENTS: 1 X NVQ L2 CRANE TECH, 1 X CHAPMAN HEAD TEACH (IF USING WITH HEAD)**

✓ **GRIP REQUIREMENTS: 1 X NVQ L2 GRIP & 1 X NVQ L3 GRIP**

Base Width 3ft. 3in.

<b>MIN CRANE UNIT WEIGHT</b>	<b>385.5KG</b>
<b>MAX CRANE UNIT WEIGHT</b>	<b>957.07KG</b>
<b>MAX CRANE UNIT WEIGHT ARM &amp; BASE</b>	<b>1,257.07KG</b>
<b>VOLTAGE</b>	<b>24vDC BATTERY 110v AC TO 24V DC</b>
<b>MIN HEIGHT</b>	<b>6FT 2IN</b>
<b>MIN LENGTH (RETRACTED)</b>	<b>10FT 5IN</b>

<b>MAX LENGTH (EXTENDED)</b>	<b>22FT 8IN</b>
<b>REAR-FULCRUM LENGTH</b>	<b>4FT 11IN</b>
<b>MOUNT HEIGHT</b>	<b>20FT</b>
<b>BASE WIDTH</b>	<b>3FT 3IN</b>
<b>BASE LENGTH</b>	<b>4FT 4IN</b>
<b>BASE TYPE</b>	<b>HY HY BASE</b>